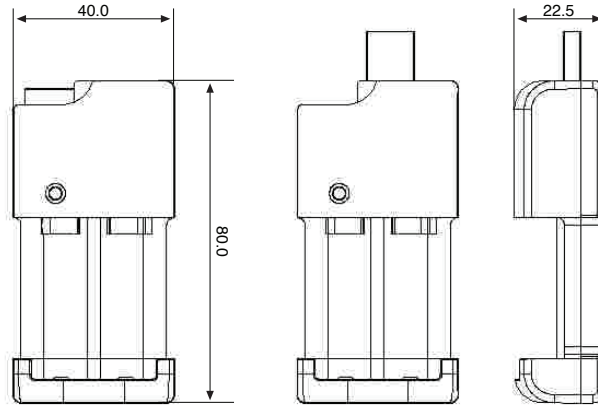


GP Batteries

Product Specification

Model No.: GPPB530USB



Unit : mm

Description	:	USB Charger
Input Voltage	:	5V DC
Output Voltage Range	:	1.4V DC
Application	:	For charging 1 or 2 pcs NiMH AA or AAA batteries with an operating computer
Charging Current	:	850mA +/- 10% for AA/AAA x 1 425mA +/- 10% for AA/AAA x 2

Charging Time	GP Battery	Time (hrs)		GP Battery	Time (hrs)		
		1 pc	2 pcs		1 pc	2 pcs	
NiMH AA	2700 series	3.7	7.3	NiMH AAA	1100 series	1.5	2.9
	2500 series	3.5	6.9		1000 series	1.4	2.7
	2300 series	3.2	6.4		950 series	1.3	2.6
	2100 series	3	5.8		850 mAh	1.2	2.4
	2000 series	2.8	5.5		800 mAh	1.1	2.3
	1800 mAh	2.5	5.1		750 mAh	1.1	2.1
	1600 mAh	2.3	4.5		700 mAh	1.0	2.0
	1300 mAh	1.8	3.7		650 mAh	0.9	1.8
				600 mAh	0.8	1.7	

MTBF	:	30000 hours (at ambient temperature 25°C)
Operating Temperature	:	0°C to 33°C
Storage Temperature	:	-25°C to 60°C
Charge Indicator	:	RED/Green dual color LED
Dimensions	:	40 (L) X 80 (W) X 22.5 (T) mm
Approval	:	CE / FCC
Warranty Period	:	12 months from ex-factory date



Manufacturer reserves the right to alter or amend the design, model and specification without prior notice.

12070107403