

VB100F product information sheet

Product Specifications

Fits most: 23" - 42" flat panels

Supports up to: 100 lbs (45.4 kg)

Mounting profile: 1.18" (30mm)

Universal & VESA compliant: 100x100 to 300x400

Mounting: Double-stud

UL Listed: Yes

Warranty: 5 years

Color: Black

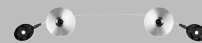
Product Benefits

- Low 1.18" (30mm) mounting profile allows for easy connectivity and sufficient panel cooling
- Ideal for ultra thin panels with bottom- or side-loading connectors
- Includes universal rails and spacers for greater panel compatibility
- Single wall plate allows for quick installation
- Small footprint provides ample room for power and A/V cutouts behind panel
- Lift n' Lock™ allows you to easily attach your flat panel to the mount
- Sliding lateral on-wall adjustment
- Rails can attach in one of two locations giving you a choice in vertical positioning
- Locking bar secures panel to mount
- Includes complete hardware kit



With a mounting profile of only 1.2" (30mm), the VB100F sets flat panels just far enough from the wall for easy connectivity while still allowing for sufficient cooling.

Series



LED Wire



Full Motion Mounts



Tilt Mounts



Fixed Mounts



OmniMount, an innovator of A/V mounts and furniture for more than a quarter century, is the choice of professional installers and the brand most recommended by flat panel manufacturers. The VideoBasics Series is a basic line of fixed, tilt and full motion mounts brought to you by OmniMount – the leader in flat panel mounting solutions. The VB100F is a low-cost, low-profile mounting solution for medium thin profile flat panels.



VB100F technical data sheet

OmniMount, an innovator of A/V mounts and furniture for more than a quarter century, is the choice of professional installers and the brand most recommended by flat panel manufacturers. The VideoBasics Series is a basic line of fixed, tilt and full motion mounts brought to you by OmniMount – the leader in flat panel mounting solutions. The VB100F is a low-cost, low-profile mounting solution for medium thin profile flat panels.



Product Specifications

Fits most: 23" - 42" flat panels

Supports up to: 100 lbs (45.4 kg)

Mounting profile: 1.18" (30mm)

Universal & VESA compliant: 100x100 to 300x400

Mounting: Double-stud

UL Listed: Yes

Warranty: 5 years

Color: Black

Product Benefits

- Low 1.18" (30mm) mounting profile allows for easy connectivity and sufficient panel cooling
- Ideal for ultra thin panels with bottom- or side-loading connectors
- Includes universal rails and spacers for greater panel compatibility
- Single wall plate allows for quick installation
- Small footprint provides ample room for power and A/V cutouts behind panel
- Lift n' Lock™ allows you to easily attach your flat panel to the mount
- Sliding lateral on-wall adjustment
- Rails can attach in one of two locations giving you a choice in vertical positioning
- Locking bar secures panel to mount
- Includes complete hardware kit

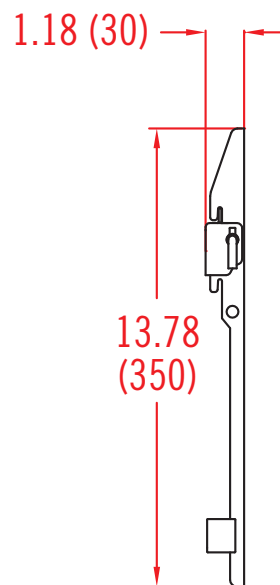
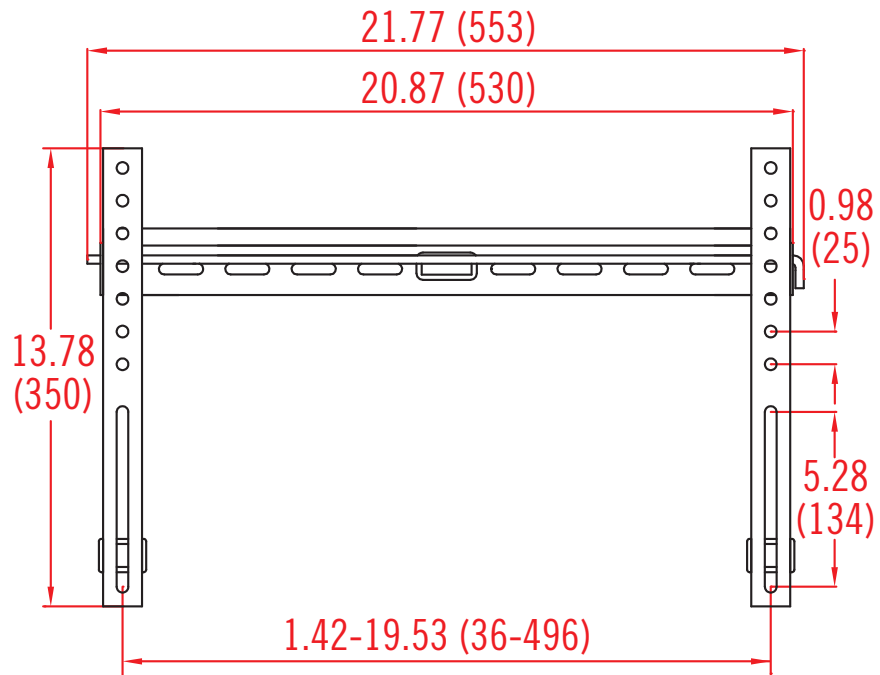
	Stock Code	Packaging UPC	MC UPC
Americas	1004795-1	728901026058	728901719509
International	1004795INT-1	728901026058	728901719509

	Dimensions WxDxH inches (mm)	Wt lbs (kg)
Product Box	2.4 x 22.2 x 1.8 (60x565x45)	3.1 (1.4)
Master Carton	7.8 x 22.6 x 4.5 (195x575x115)	20.3 (9.2)

Box Contents	Qty
Wall plate	1
Vertical rail	2
Rubber vertical rail stop	2
Locking bar	1

Box Contents	Qty
Bubble level	1
Complete monitor hardware kit	1
Complete wall hardware kit	1
Instruction manual	1

VB100F line drawing



inches (mm)