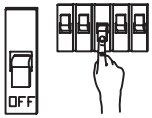
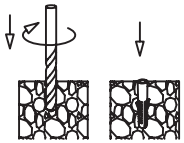


1



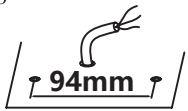
OFF

2

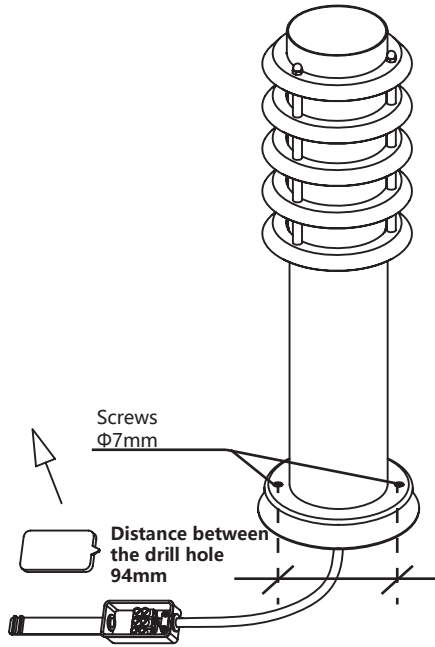


Drill hole $\Phi 8\text{mm}$ Screws $\Phi 5\text{mm}$

3



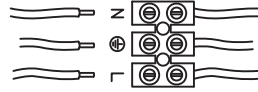
94mm



Screws $\Phi 7\text{mm}$

Distance between the drill hole 94mm

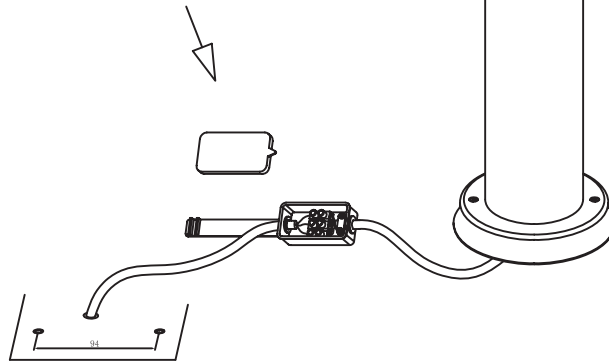
4



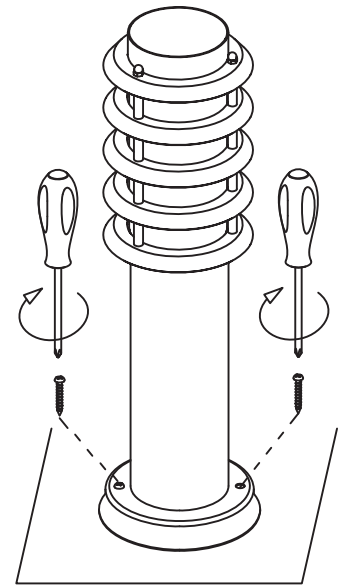
L=Ruskea / Brun / Pruun

N=Sininen / Blå / Sinine

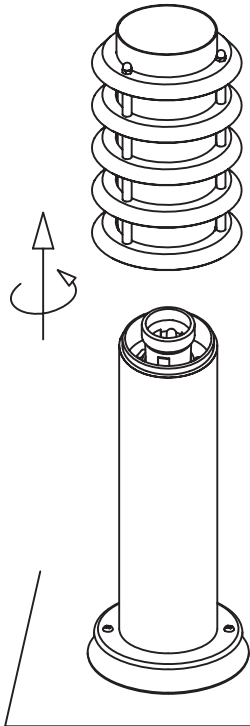
\oplus =Keltavihreä / Gul-grön / Kollane-roheline



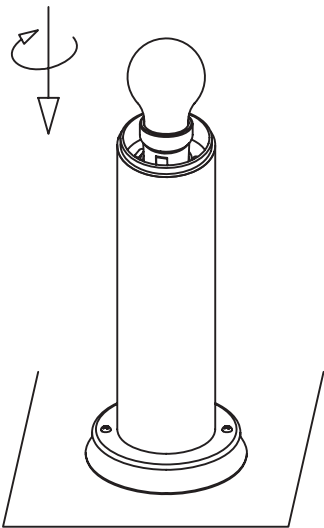
5



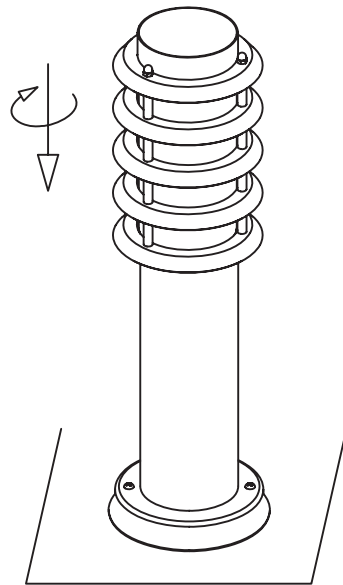
6



7

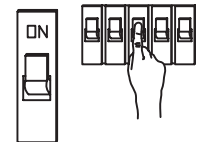


8



9

ON



10